

MVCC 36 DIRECT CURRENT ELECTRIC VIBRATOR SERIES

direct-current



DESCRIPTION		MECHANICAL FEATURES				ELECTRICAL FEATURES		
Part Number	Model	Speed rpm	Static Moment in-lbs	Centrifugal Force lbs	Weight lbs	Power Output		
						HP	12V	24V
600411	MVCC 36-270	3000	1.0	264	11.0	0.08	8.00	4.00
600428	MVCC 36-470	3000	1.8	464	13.2	0.14	16.0	8.00
600469	MVCC 36-1100	3000	4.3	1107	28.8	0.29	22.5	11.3
600405	MVCC 36-2500	3600	6.8	2486	45.8	0.58	-	22.0
600464	MVCC 36-3350	3600	9.1	3344	47.3	0.58	-	22.0



All listed products are in compliance with GOST R 50615, 51318.14.1-14.2, 51317.3.2-3.3, GOST 17770, 12.2.030.



In compliance with all applicable European Directives.

* Working Moment = 2 x Static Moment. Static Moment = Unbalance.

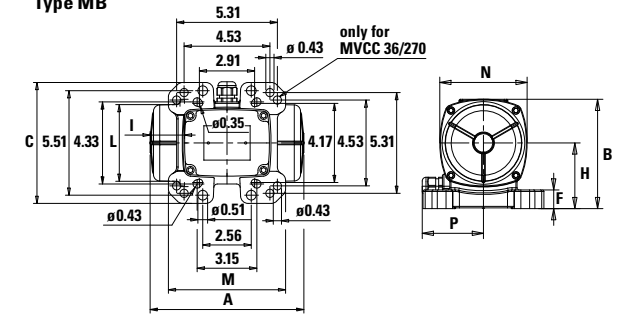
MVCC 36 DIRECT CURRENT ELECTRIC VIBRATOR SERIES

direct-current



OVERALL DIMENSIONS (inches)														
Model	Type	A	B	C	D	E	Foot holes øG N°	F	H	I	L	M	N	P
MVCC 36-270	MB	8.11	5.77	6.38	See drawing		4	0.98	3.46	1.81	4.06	6.18	4.61	3.23
MVCC 36-470	MB	10.35	5.77	6.38	See drawing		4	0.98	3.46	1.81	4.06	5.51	4.61	3.23
MVCC 36-1100	A	11.34	7.99	6.57	4.13	5.51	0.51	1.18	3.25	2.56	5.71	5.51	6.30	-
MVCC 36-2500	A	12.13	8.44	8.07	4.72	6.69	0.67	1.77	3.68	2.48	6.61	6.30	7.17	-
MVCC 36-3350	A	12.13	8.44	8.07	4.72	6.69	0.67	1.77	3.68	2.48	6.61	6.30	7.17	-

Type MB



Type A

